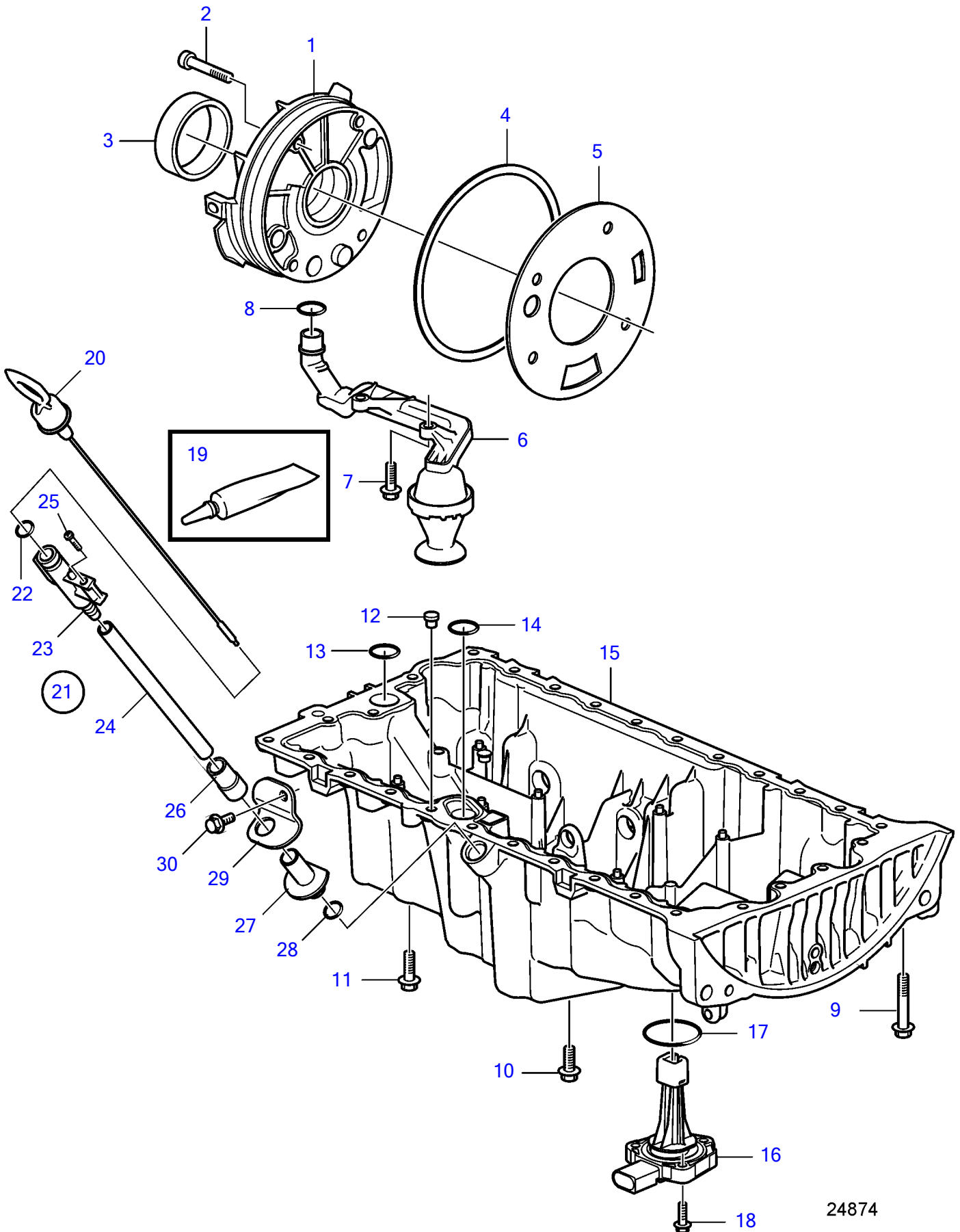


D3-110I-D, D3-110I-E, D3-140I-E, D3-140A-D, D3-140A-E, D3-150I-D, D3-150I-E, D3-170I-D, D3-170I-E, D3-170A-D, D3-170A-E, D3-200I-D, D3-200I-E, D3-200A-D, D3-200A-E, D3-220I-D, D3-220I-E, D3-220A-D, D3-220A-E



24874

D3-110I-D, D3-110I-E, D3-140I-E, D3-140A-D, D3-140A-E, D3-150I-D, D3-150I-E, D3-170I-D, D3-170I-E, D3-170A-D, D3-170A-E, D3-200I-D, D3-200I-E, D3-200A-D, D3-200A-E, D3-220I-D, D3-220I-E, D3-220A-D, D3-220A-E

REF	PART NO.	QTY	DESCRIPTION	NOTES
1	30777092	1	Oil pump	
2	987348	4	6 point socket screw	
3	6842273	1	Lip seal	
4	981204	1	O-ring	
5	1275404	1	Gasket	
6	30777148	1	Suction line	
7	968158	2	Flange screw	
8	30637867	1	Sealing ring	
9	980092	4	Flange screw	M7x100mm
10	975880	22	Flange screw	M7x20mm
11	985322	4	Flange screw	M7x40mm
12	463963	1	Valve	
13	8642560	1	Sealing ring	
14	8631513	1	Sealing ring	
15	31258206	1	Oil sump	Replaced by 31316978
	31316978	1	Oil sump	SN-968938, Replaced by 31339208
	31339208	1	Oil sump	SN968939-
16	31272687	1	Oil level sensor	
17	31219441	1	O-ring	
18	982759	3	Flange screw	M6x25mm
19	1161771	1	Sealing compound	50ml
20	3847530	1	Oil dipstick	
21	21376073	1	Pipe	
22	944124	1	• O-ring	
23		1	• Anchorage	
24		1	• Tube	
25	975378	1	6 point socket screw	
26	843533	1	Rubber hose	
27	21451916	1	Insert nipple	
28	3888462	1	O-ring	
29	3847997	1	Bracket	
30	982775	1	Flange screw	M7x16mm